



IONTO-COMED

INSTRUCTION MANUAL

IONTO-HERB[®] GL

Art. No. 8112GL



Contents

Safety Instructions3
Fields of Use.....4
Control Elements and Connections5
Installation6
Notes for working with the IONTO-HERB® GL.....7
Operation.....8
Cleaning and Care..... 10
Fault Finding and Solutions 11
Repairs and Maintenance..... 11
Technical Data..... 12
Transport, Storage and Operating Conditions 12
Disposal..... 12
Delivery Contents 12
Accessories 12

This instruction manual contains information intended to ensure safe operation of the IONTO-HERB GL. Always keep it in close proximity to the device where it is readily available for every user.

© IONTO-COMED 2008

IONTO-COMED GmbH
Durlacher Allee 109
D-76137 Karlsruhe
Telephone +49 (0) 721 / 97 70-0
Telefax +49 (0) 721 / 97 70-290
Email: sales@ionto.de
<http://www.ionto.de>

Safety Instructions

- Before installing and using your IONTO-HERB GL, carefully read this instruction manual and ensure that all directions and instructions contained are fully understood. It includes important safety information for setting-up, operation and maintenance!
- If the IONTO-HERB GL is used for any purpose other than that for which it was designed and as described in this instruction manual, such use will invalidate the manufacturer's warranty and guarantee!
- The device may be opened only by the manufacturer or by an expert approved and authorised by the manufacturer.
- When unpacked, check the contents of the delivery to ensure that all parts have been included and that nothing has become damaged during transit. In the event of any doubt, please contact our customer service department.
- Never use with a damaged mains power supply cable. Do not jam or kink the cable and do not allow it to rest on any hot object (e.g. radiator, lamp, etc).
- If the mains cable is damaged in any way, switch OFF immediately and disconnect from the mains power supply. Please consult our customer service department before using again. Never replace the cable yourself!
- Installation must be carried out according to the manufacturer's instructions. Incorrect installation could result in damage to persons or property, in which case the manufacturer cannot be held responsible!
- Under no circumstances may the mains plug be disconnected from the socket with wet hands. Never attempt to remove the plug from the socket by pulling the connecting cable!
- Do not use in damp surroundings, nor splash or immerse in liquid!
- Allow the device to adjust to the ambient temperature before starting work.
- Always isolate from the mains power supply by disconnecting the mains plug before cleaning!
- Never operate the device without water or when the water level is below the minimum level mark.
- Never use dishwashing liquid for cleaning the device. Risk of scalding due to the liquid overheating!
- Do not allow any remnants of cleaning agent to remain in the water tank after cleaning is finished, otherwise there will be a risk of scalding. In addition, unpleasant odours can develop!

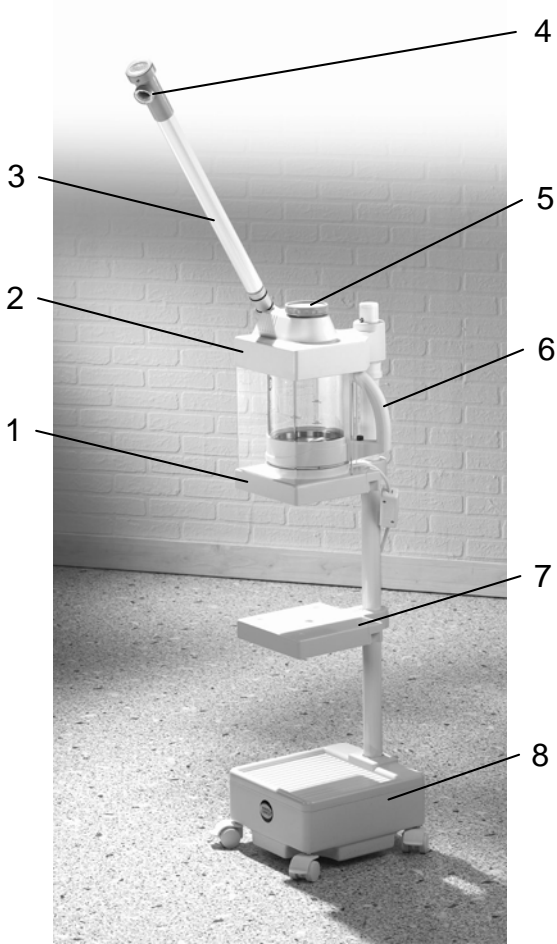
Fields of Use

IONTO-HERB® GL is an aroma steaming device for cosmetic treatment. The device is mounted on a compact, space-saving tripod with lockable rollers. It is a practical base for an equipment centre fitted with MODULAR devices from IONTO-COMED.

Aroma steaming has an extremely positive effect on the skin. It stimulates the metabolism whilst at the same time providing a feeling of relaxation and calm. Each essential oil is decided upon according to the effects it provides. However, when combined with steam they all have one common effect, which is to calm and harmonise the skin metabolism. The blood vessels in the skin dilate and restrictions in the flow are released. A temporary feeling of warmth develops without the formation of erithem taking place. The tension of the arrector (porum) musculature relaxes and the skin becomes softer and more elastic. The vegetative skin nerve-ends are soothed and blood circulation and metabolism achieve a healthy balance. As a result, the absorptive capabilities of the skin improve considerably. A further benefit is the special effect of the essential oil used.

IONTO-COMED provides specially developed combinations of essential oils for the care and pre-treatment of dry, greasy, normal and mixed skin types.

Control Elements and Connections



- Legend**
- (1) Steam chamber base
 - (2) Steam head
 - (3) Steam arm
 - (4) Steam outlet
 - (5) Lid
 - (6) Steam chamber
 - (7) Support shelf for Modular devices
 - (8) Tripod base
 - (9) Locking clip
 - (10) Locking ring
 - (11) Start button
 - (12) ON / OFF switch

Fig. 1: IONTO-HERB® GL

Installation

1. Installing the device:



Caution!

Risk of instability!

The enclosed sand bags (approx. 6 kg) have to place into the tripod base.

- ☞ Place the device with tripod on a firm, level underground.
 - ☞ Open the lid of tripod base.
 - ☞ Place the four sand bags into the tripod base.
 - ☞ Slide the lid of tripod base downwards.
 - ☞ Press the lid firmly on the tripod base.
 - ☞ Lock the tripod into position using the brakes on the rollers.
- ### 2. Inserting the steam chamber:
- ☞ Grasp the steam head mounting with one hand and grasp the opposite side with the other hand.
 - ☞ Press in the locking clip on the support column.
 - ☞ Raise the steam head and swing it to the side.
Ensure that the steam head does not tilt.
 - ☞ Place the steam chamber on the base.
 - ☞ Place the steam head on the steam chamber.
 - ☞ Press the steam head downwards slightly until the seal is fully closed.
 - ☞ Insert the steam arm into the opening on the steam head until it locks into place
- ### 3. Adjusting the steam head:
- ☞ Remove the protective cap from the steam chamber base. Underneath is the locking screw for the steam chamber base.
 - ☞ Release the screw using a screwdriver.
 - ☞ Move the steam chamber base upwards until the seal is fully closed.
 - ☞ Retighten the locking screw.
 - ☞ Replace the protective cap over the screw.
- or:
- ☞ Loosen the screw in the locking ring with a screwdriver.
 - ☞ Slide the locking ring downwards.
 - ☞ Press the steam head downwards slightly until the seal is fully closed.
 - ☞ Slide the locking ring upwards as far as possible.
 - ☞ Tighten the screw in the locking ring.
- ### 4. Connecting the device to the mains power supply:
- ☞ Connect the mains power cable to the mains power cable on the steam chamber base.
 - ☞ Check the voltage (V) shown on the type plate.
 - ☞ Connect the power plug to the mains power supply.
- The steamer is now ready for use.

5. Connecting a MODULAR device (optional):



Note

When using more than 3 devices an additional support shelf for MODULAR devices must be added for stabilization purpose.

- ☞ Place the module on the support shelf.
- ☞ Connect the handpieces and accessories required. Observe the instructions for use supplied with each MODULAR device.
- ☞ Check the voltage (V) shown on the type plate on the module.
- ☞ Connect the power cable to the mains power supply.

6. Adjusting the height of the support shelf:

- ☞ Remove the protective cap from the support shelf. Underneath is the locking screw for the support shelf mounting.
- ☞ Release the screw using a screwdriver.
- ☞ Move the support shelf to the required height.
- ☞ Retighten the locking screw.
- ☞ Replace the protective cap over the screw.

Notes for working with the IONTO-HERB® GL

- Before using the IONTO-HERB® GL on a client for the first time, run the device for three steaming cycles to clean out any trace of substances used during production and to allow any possible odours to escape.
- Never use with a damaged glass chamber.
- Make sure that the person being treated is made aware that the steam arm will become warm.
- Fill the steam chamber slowly with water.
- Never fill the steam chamber above the maximum water level mark.
- Always keep the steam chamber clean.
- Allow the steam chamber to cool before removal.
- Never use dishwashing liquid to clean the steam chamber.
- Do not put any herbs or essential oil directly into the water.
- Do not raise the lid whilst the device is in operation, there is a risk of scalding by hot water and steam. In addition, the lid itself can become hot.

Operation



Caution!

Risk of scalding or burns!
Never fill the steam chamber above maximum.
Never remove the lid during use.



Note

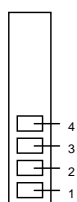
- Always ensure that there is sufficient water in the steam chamber, otherwise the glass chamber could be damaged!
- The IONTO-HERB® GL is not suitable for steaming with herbs, only for aroma treatment with essential oils.

1. Determining the water hardness:

Before the IONTO-HERB® GL is used, the hardness level of tap water must be determined with the test strips provided.

If the tap water used has a hardness level of more than 14° German hardness, we recommend the use of a BRITA water filter. When this water filter is used, the steam chamber will remain cleaner, longer, and several steam treatments can be carried out before it has to be cleaned again.

- ☞ Dip a test strip in a beaker containing normal tap water for approx. 1 second.
- ☞ Lift out and shake off any excess water.
- ☞ Wait approx. 1 minute to allow for the reaction. The colour of the test areas 1 to 4 can change from green to red.



No change = water below 3° German hardness
Area 1 red = water above 3° German hardness
Area 1–2 red = water above 7° German hardness
Area 1–3 red = water above 14° German hardness
Area 1–4 red = water above 21° German hardness

2. Filling with water:

- ☞ Remove the lid from the steam chamber by turning it slightly and lifting.
- ☞ Fill the steam chamber slowly with tap water or distilled water (warm or cold) through the opening up to the maximum water level mark.
- ☞ Replace the lid whilst twisting and pressing it lightly downwards.

3. Aroma treatment with essential oils:

Device must be switched ON.

- ☞ Apply a couple of drops of essential oil to the felt ring around the steam outlet.
The felt ring can be replaced.

For aroma treatment, IONTO-COMED provides special combinations of essential oils for the care and pre-treatment of different skin types.

4. Starting steaming:

- ☞ Move the switch on the mains cable of the IONTO-HERB® GL to ON.
- ☞ Press the red start button on the steam chamber grip.
The start button will glow red and steamer will start to heat up.

5. Directing the steam arm towards the chosen skin area:
 - ☞ Swing the steam arm towards the client.
 - ☞ Rotate the steam arm so that the steam flow is directed towards the area of skin to be treated.
6. Switching OFF following completion of treatment:
 - ☞ Move the switch on the mains cable to OFF.



Note

For safety reasons, the device will switch OFF automatically when the steam chamber is empty or when the steam chamber is removed. Following this, a wait of approx. 15 sec. is necessary before the device can be switched ON again.

7. Removing the steam chamber:



Caution!

Risk of scalding or burns!

Allow the steam chamber to cool before removal.

- ☞ Grasp the steam head mounting with one hand and grasp the opposite side with the other hand.
- ☞ Press in the locking clip on the support column.
- ☞ Raise the steam head and swing it to the side.
Ensure that the steam head does not tilt.
- ☞ Remove the steam chamber.

Cleaning and Care



Caution!

Risk of scalding!

Use only IONTO-COMED Decalcifier, art. no. 8111.001, or vinegar essence to clean the steam chamber.

Remove all traces of cleaning agent from the steam chamber.



Caution!

Risk of electric shock!

Always disconnect from the mains power supply before cleaning.

Limestone deposits will form in the steam chamber (furring) according to the hardness of the water and length of time the device is used. Therefore, any **water remaining** in the steam chamber **must be emptied out following the final treatment** and the **steam chamber** must be **flushed out and dried**. Additionally, the **steam chamber** should be **decalcified and cleaned** at least **every two days**.



Note

- **Never use dishwashing liquid** for cleaning. Risk of scalding!
- Do **not** immerse the **steam chamber** in **water** when cleaning!

1. Removing the steam chamber:

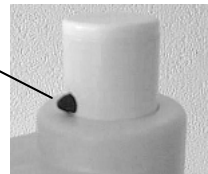
- ☞ Grasp the steam head mounting with one hand and grasp the opposite side with the other hand.
- ☞ Press in the locking clip on the support column.
- ☞ Raise the steam head and swing it to the side. Ensure that the steam head does not tilt.
- ☞ Remove the steam chamber.



2. Cleaning and decalcifying the steam chamber:

- ☞ Empty out any used water remaining.
- ☞ Flush out the chamber with clean water.
- ☞ Fill with water up to the maximum level mark.
- ☞ Add decalcifier and stir briefly. Observe the instructions given for use of the product.
- ☞ Allow the decalcifier to stand in the chamber for at least one hour. Hot water will accelerate the cleaning process, but **do not heat the steam chamber**.
- ☞ When finished, empty out the water and decalcifier.
- ☞ Wipe the chamber with a soft cloth.
- ☞ Flush out the chamber with clean water. Any remaining traces of limestone can be easily removed without scrubbing. A brush can be used if necessary.
- ☞ Dry the chamber well.

Locking clip



Fault Finding and Solutions

Fault	Cause	Solution
Device does not heat up although the steam chamber is full.	Start button not switched ON. Device not switched ON. Mains power cable not connected correctly.	Press start button. The button will glow red. Move the switch on the mains cable to ON. Check connection of the mains power cable. The plug must be firmly inserted.
Steam arm drops down.	Damping mechanism on the steam arm is loose.	Re-tighten the steam arm mounting (see page 11).

In the event of any other problem arising which is not dealt with above, please contact our customer service department (telephone number on the rear page).

Repairs and Maintenance

The IONTO-HERB GL does not require any special maintenance when used correctly and in compliance with the manufacturer's directions and instructions. However, in the event of any problem arising, please contact our customer service department.

Only persons authorised by the manufacturer may perform repairs. Any alterations or repairs performed by non-authorised persons will invalidate any guarantee, warranty or responsibility of the manufacturer. In addition, the safety of the device could be adversely affected.

Tightening the steam arm mounting

- ☞ Carefully draw the steam arm (2) off the pipe elbow (1).
- ☞ Ease both halves of the pipe elbow carefully apart.
- ☞ Push the lower rubber ring (3) upwards with a screwdriver, out of the groove.
- ☞ Pull the pipe elbow out sideways.
- ☞ Tighten the two hexagonal nuts (4) with a spanner.
- ☞ Re-attach the two halves of the pipe elbow.
- ☞ Secure into place with the rubber ring.
- ☞ Slide the steam arm back onto the elbow.

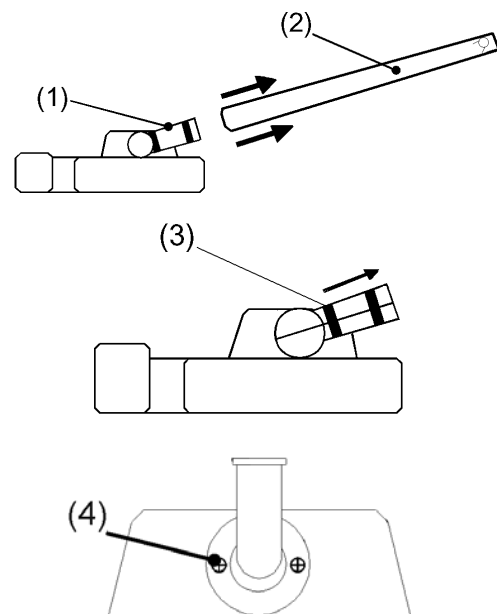


Fig. 2: Fixing the steam arm

Technical Data

Article number:	8112 GL
Operating voltage:	230 V ~ / 50-60 Hz 110 V ~ / 50-60 Hz
Power consumption:	800 W
Protection class:	I
Dimensions (WxHxD):	230 x 1000 x 260 mm
Weight with tripod:	16.5 kg

Transport, Storage and Operating Conditions

Transport only in the manufacturer's original packaging.

Transport and storage temperature: -20°C to +50°C

Operating temperature: +10°C to +40°C

Relative air humidity: max. 90%, non-condensing

To avoid the formation of condensation, abrupt changes of temperature should be avoided. Wait until the device has acclimatised to the ambient temperature before putting into operation.

Disposal

Dispose of the device itself, packaging and accessories in compliance with local regulations.

Delivery Contents

- 1x IONTO-HERB® GL aroma steamer
- 1x Tripod
- 1x Steam arm
- 1x Mains power supply cable

Accessories

Art. No. 9544	Set of essential oils, 4x 10 ml
Art. No. 34075	Felt ring, 10 pcs.
Art. No. 8111.001	Decalcifier, 500 ml
Art. No. 8111.004	BRITA water filter
Art. No. 8111.003	BRITA filter cartridge, 3x pack
Art. No. 8800.1	Support shelf for modular devices
Art. No. 8800.2	Accessory tray
Art. No. 8888.007	Mounting for waste container
Art. No. 8888.008	Waste container with swing lid

For details of further accessories, please refer to the current IONTO-COMED COSMETIC TECHNOLOGY catalogue.



EG-KONFORMITÄTSERKLÄRUNG / DECLARATION OF CONFORMITY



gemäß den Bestimmungen der EG-Richtlinie über /
in accordance with the EU-Directives for

Elektromagnetische Verträglichkeit 2004/108/EG /
Electromagnetic Compatibility Directive 2004/108/EC

Elektrische Betriebsmittel zur Verwendung innerhalb bestimmter Spannungsgrenzen
2006/95/EG / Low Voltage Directive 2006/95/EC

Hersteller / Manufacturer: **IONTO-COMED GmbH**
Adresse / Address: **Durlacher Allee 109**
D-76137 Karlsruhe

Hiermit bestätigen wir, dass das Produkt /
We certifies that the product

Hiermit bestätigen wir, dass das Produkt /
We certifies that the product

Geräteart / Aromabedampfungsgerät /
Purpose of equipment: Herbal Steamer

Gerätetyp / Type of equipment: **IONTO-HERB GL**

Artikelnr. / Article no: 8112GL

mit folgenden Normen übereinstimmt /
is in accordance with the following standards:

IEC 60335

EN 61000-6-1:2001

EN 61000-6-3:2001

Karlsruhe, 2008-07-01

IONTO-COMED GmbH
Manager

Martin La Fontaine



IONTO-COMED GmbH

Durlacher Allee 109 • D-76137 Karlsruhe

Telephone: +49 (0) 721 / 97 70-0 • Telefax: +49 (0) 721 / 97 70-290
<http://www.ionto.de> • Email: sales@ionto.de